

**Metal Nozzle - MEN**

© Copyright 1996: All rights reserved. Nothing from this publication may be reproduced, handed over, copied, or translated into other language, in any form or means without written permission from PlymoVent AB. PlymoVent AB reserves the right to make design changes. For more information contact PlymoVent customer service; Tel +46 40 30 31 30, Fax +46 40 30 31 40.

Auto Extract Systems Ltd are the UK distributors for PlymoVent Products

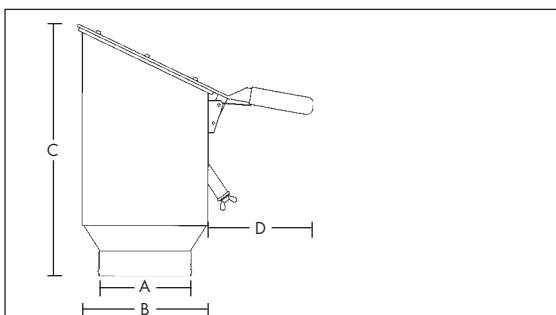
# Metal Nozzle - MEN

## Range of application

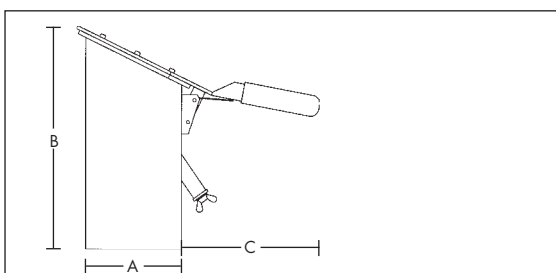
PlymoVent's Metal nozzle connects the exhaust hose to the exhaust system of the vehicle. The nozzle is designed to take in cooling air thereby reducing the exhaust fume temperature and resistance in the exhaust system as well as guaranteeing correct exhaust readings. The nozzle is highly suitable for PlymoVent's fixed extractors and exhaust reels.

## Specifications

The nozzle comprises a powder coated metal pipe and a spring-loaded rubber lid. The rubber lid which shuts tight and functions as a draught valve when the nozzle is not being used, opens using a rubber-faced handle. The nozzle is equipped with an exhaust probe opening, Ø 20 mm, sealed with a rubber plug.



Prod. no.	A	B	C	D
MEN-75-100	Ø 75	Ø 100	295	165
MEN-125-150	Ø 125	Ø 150	350	165
MEN-150-200	Ø 150	Ø 200	390	165



Prod. no.	A	B	C
MEN-100-100	Ø 100	230	165
MEN-125-125	Ø 125	285	165
MEN-150-150	Ø 150	300	165

Prod. no.	Description	Dimensions exhaust hose	Dimensions nozzle	Weight
MEN-75-100	Metal nozzle	Ø 75 mm	Ø 100 mm	1.3 kg
MEN-100-100	Metal nozzle	Ø 100 mm	Ø 100 mm	1.1 kg
MEN-125-125	Metal nozzle	Ø 125 mm	Ø 125 mm	1.7 kg
MEN-125-150	Metal nozzle	Ø 125 mm	Ø 150 mm	2.6 kg
MEN-150-150	Metal nozzle	Ø 150 mm	Ø 150 mm	2.4 kg
MEN-150-200	Metal nozzle	Ø 150 mm	Ø 200 mm	4.0 kg

Auto Extract Systems Ltd  
A10 Kenyon Court, Moss Industrial Estate,  
Leigh, Greater Manchester, WN7 3PT  
Tel: +44 (0)1942 267444  
Fax: +44 (0)1942 267445  
www.autoextract.co.uk  
info@autoextract.co.uk