

FEB

- Swing-Arm Hose Dropper

Auto Extract Systems Ltd are the UK distributors for PlymoVent Products

TECHNICAL DATA

Unit specification

Weight

Depending on choice of model.
See charts below.

Max hose length

5 m / 16,4 ft standard.

Airflow recommended

Cars 360 m³/h (211 cfm).
Trucks 1080 m³/h (635 cfm).

Installation

On wall or column.

Maintenance

Normal wear, no maintenance required.
See owner's manual.

Hoses

EH-PV

High quality crush resistant hose designed for temperatures from 150°C/300°F to 205°C/400°F intermittent use. Recommended for areas where exhaust hose will be subjected to vehicles driving over the exhaust hose.

NOTE: Nozzles and fans not included. See separate data sheet.

Optional Hoses

EG

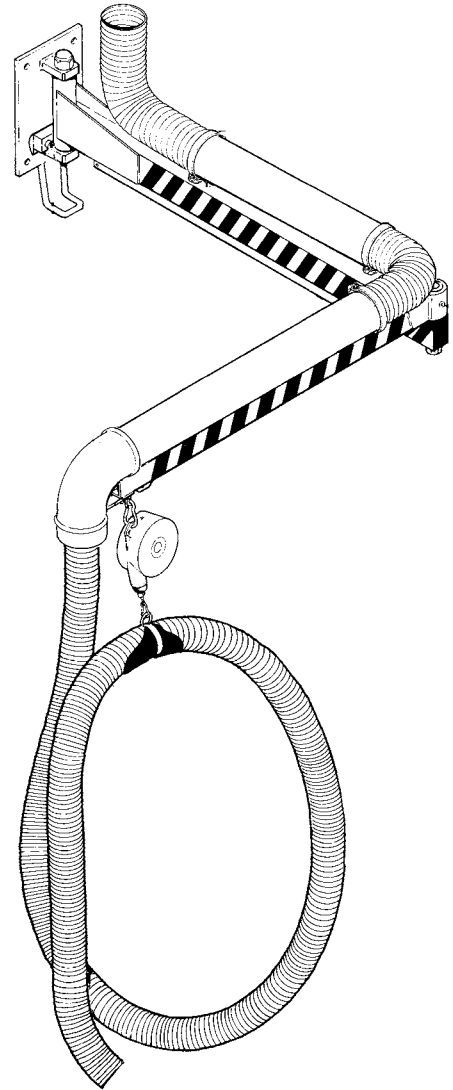
High quality fabric composite hose designed for exhaust gas temperatures from 200°C/390°F to 220°C/430°F intermittent use. Recommended for areas that service cars and light trucks.

EF

High quality fabric composite hose designed for exhaust gas temperatures from 315°C/600°F to 350°C/660°F intermittent use. Recommended for areas that service heavy trucks and off-road vehicles.

ET

State of the art fabric composite hose designed for exhaust gas temperatures from 650°C/1200°F to 750°C/1380°F intermittent use. Recommended for areas performing extended dyno tests or compressed natural gas vehicles.



Model range

| Prod.no. | Arm Length | Hose Diameter | Weight | Recommended Airflow |
|-----------|---------------|---------------|------------------|----------------------------------|
| FEB-3-75 | 3.0 m /9.8 ft | 75 mm/ 3" | 41.2 kg/90.6 lbs | 270 m ³ /h (159 cfm) |
| FEB-3-100 | 3.0 m/9.8 ft | 100 mm/4" | 42.2 kg/92.8 lbs | 360 m ³ /h (212 cfm) |
| FEB-3-125 | 3.0 m/9.8 ft | 125 mm/5" | 43.2 kg/95.0 lbs | 540 m ³ /h (318 cfm) |
| FEB-3-150 | 3.0 m/9.8 ft | 150 mm/6" | 44.2 kg/97.2 lbs | 1080 m ³ /h (636 cfm) |

| Prod.no. | Arm Length | Hose Diameter | Weight | Recommended Airflow |
|-------------|---------------|---------------|-----------------|----------------------------------|
| FEB-4.5-75 | 4.5 m/14.8 ft | 75 mm/3" | 55.4 kg/122 lbs | 270 m ³ /h (159 cfm) |
| FEB-4.5-100 | 4.5 m/14.8 ft | 100 mm/4" | 56.4 kg/124 lbs | 360 m ³ /h (212 cfm) |
| FEB-4.5-125 | 4.5 m/14.8 ft | 125 mm/5" | 57.4 kg/126 lbs | 540 m ³ /h (318 cfm) |
| FEB-4.5-150 | 4.5 m/14.8 ft | 50 mm/6" | 58.4 kg/128 lbs | 1080 m ³ /h (636 cfm) |

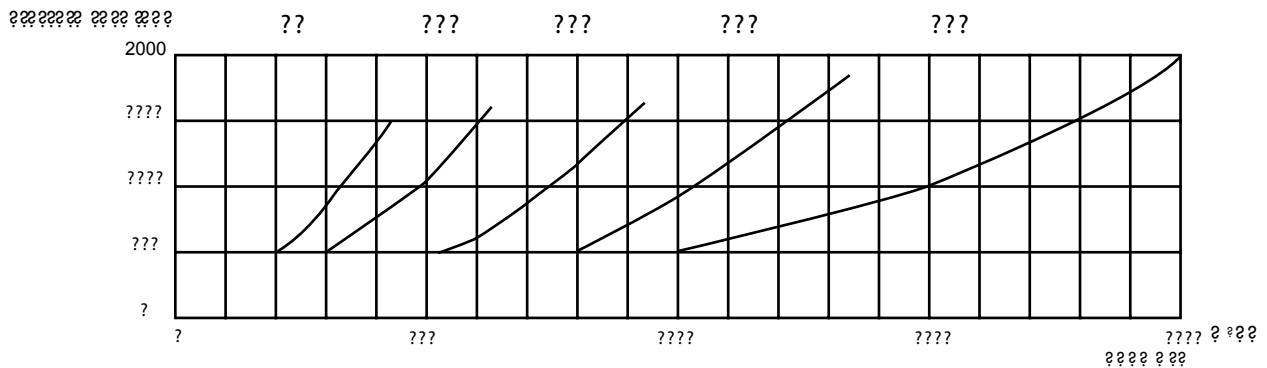
| Prod.no. | Arm Length | Hose Diameter | Weight | Recommended Airflow |
|-------------|---------------|---------------|-----------------|----------------------------------|
| FEB- 6-75 | 6.0 m/19.7 ft | 75 mm/3" | 82.2 kg/181 lbs | 270 m ³ /h (159 cfm) |
| FEB- 6-100 | 6.0 m/19.7 ft | 100 mm/4" | 83.2 kg/183 lbs | 360 m ³ /h (212 cfm) |
| FEB- 6-125 | 6.0 m/19.7 ft | 125 mm/5" | 84.2 kg/185 lbs | 540 m ³ /h (318 cfm) |
| FEB- 6-150 | 6.0 m/19.7 ft | 150 mm/6" | 85.2 kg/187 lbs | 1080 m ³ /h (636 cfm) |
| FEB- 6-200* | 6.0 m/19.7 ft | 200 mm/8" | 85.2 kg/187 lbs | 1800 m ³ /h (1058cfm) |

* Hose not included

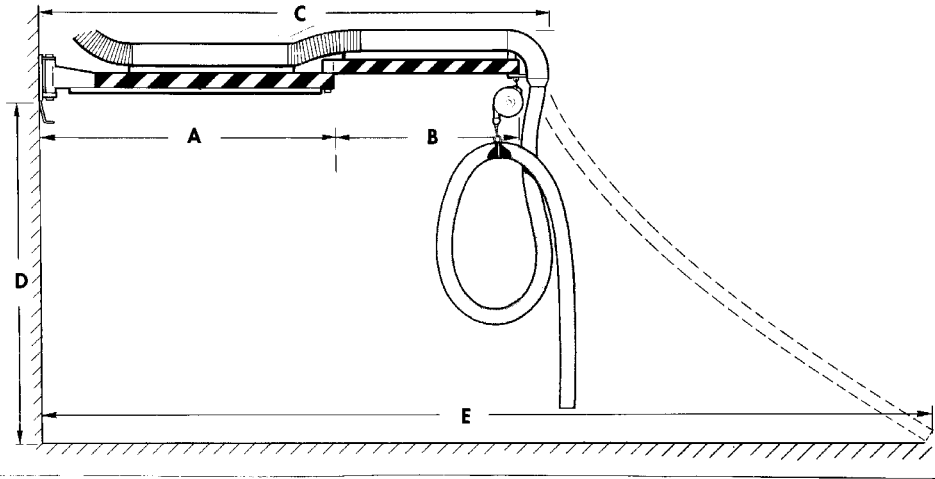
| Prod.no. | Arm Length | Hose Diameter | Weight | Recommended Airflow |
|-------------|---------------|---------------|------------------|----------------------------------|
| FEB- 8-75 | 8.0 m/19.7 ft | 75 mm/3" | 111.4 kg/245 lbs | 270 m ³ /h (159 cfm) |
| FEB- 8-100 | 8.0 m/19.7 ft | 100 mm/4" | 112.4 kg/247 lbs | 360 m ³ /h (212 cfm) |
| FEB- 8-125 | 8.0 m/19.7 ft | 125 mm/5" | 113.4 kg/249 lbs | 540 m ³ /h (318 cfm) |
| FEB- 8-150 | 8.0 m/19.7 ft | 150 mm/6" | 114.4 kg/252 lbs | 1080 m ³ /h (636 cfm) |
| FEB- 8-200* | 8.0 m/19.7 ft | 200 mm/8" | 114.4 kg/252 lbs | 1800 m ³ /h (1058cfm) |

* Hose not included

PRESSURE LOSS



DIMENSIONAL DATA



| Prod.no. | A mm/inch | B mm/inch | C mm/inch | D mm/inch | E mm/inch |
|-----------------------------------|-----------|-----------|-----------|-----------|-----------|
| FEB- 3-75, -100, -125, -150 | 1750/70 | 1250/50 | 3000/120 | 3500/140 | 7550/302 |
| FEB- 4.5-75, -100, -125, -150 | 2500/100 | 2000/80 | 4500/180 | 3500/140 | 9050/362 |
| FEB- 6-75, -100, -125, -150, -200 | 3500/140 | 2500/100 | 6000/240 | 3500/140 | 10700/428 |
| FEB- 8-75, -100, -125, 150, -200 | 4500/180 | 3500/140 | 8000/320 | 3500/140 | 12700/508 |

ACCESSORIES

Control unit

For a central fan with several extractors. To be used with automatic damper. Power supply 3 phase, 230/400 V.



Nozzle

NOTE: Nozzles and fans not included
See separate data sheet.

Fans

NOTE: Nozzles and fans not included
See separate data sheet.



Starter SA-24

Starter for fan. Power supply 3 phase, 230/400 V.



Automatic Damper

Fully automatic, motorized damper with built-in energy saver.
Power supply 1 phase, 230 V.

Auto Extract Systems Ltd
Brearley House, Burnley Road,
Halifax, West Yorkshire HX2 6JB
Tel: (01422) 888144
Fax: (01422) 888145
www.autoextract.co.uk
info@autoextract.co.uk



AUTO EXTRACT SYSTEMS

Helping to provide a pollution free workplace!

PLYMOVENT
INTELLIGENT PROCESS VENTILATION™ UK Distribution